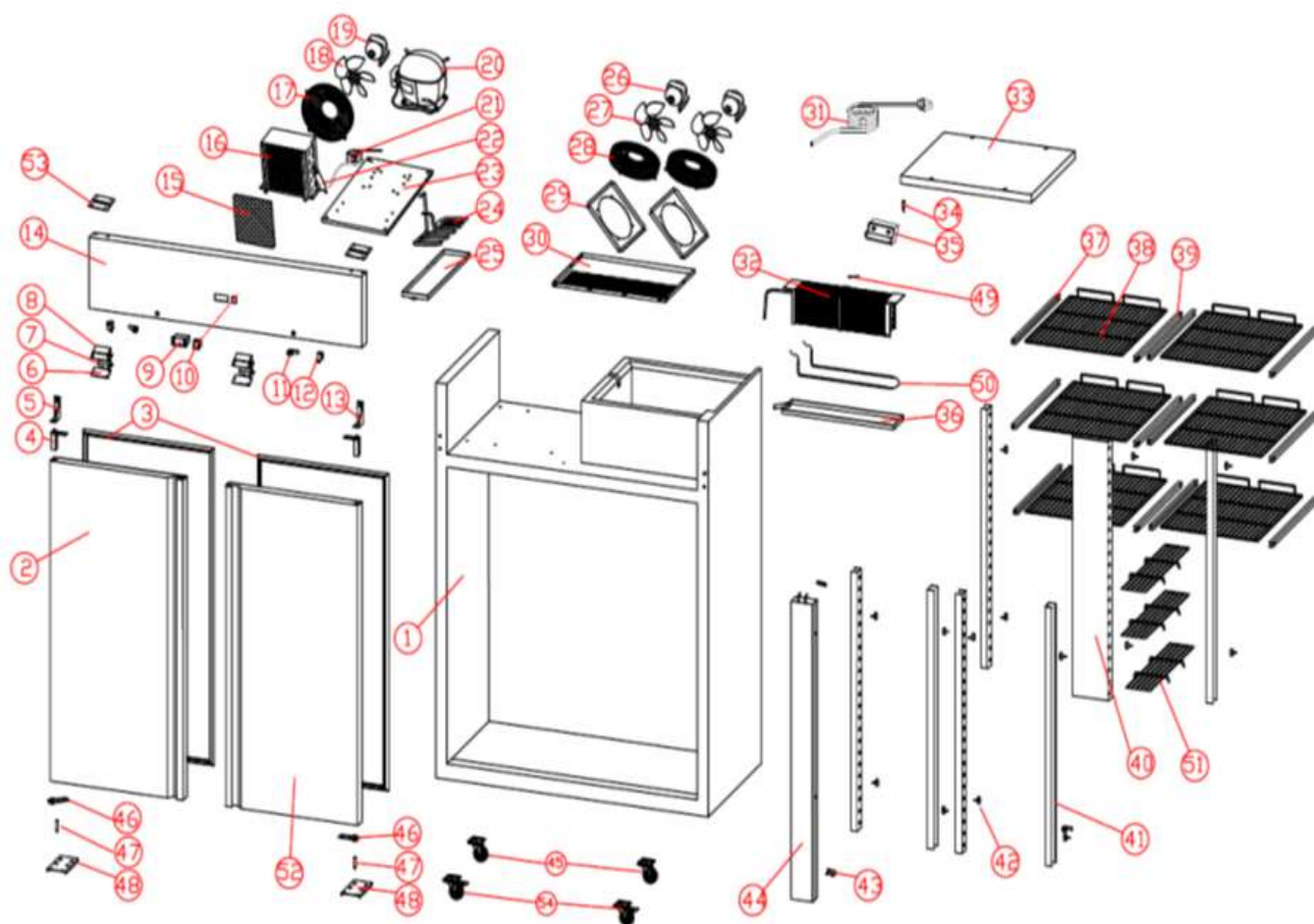


ШКАФ МОРОЗИЛЬНЫЙ HURAKAN HKN-GX1410BT



**ШКАФ МОРОЗИЛЬНЫЙ HURAKAN HKN-GX1410BT**

Поз	Наименование детали	Кол
1	cabinet	1
2	door(left)	1
3	door gasket	2
4	spring hinge	2
5	left upper hinge	1
6	light cover	2
7	LED light	2
8	light box	2
9	controller	1
10	power switch	1
11	door lock	2
12	light/fan switch	2
13	right upper hinge	1
14	panel	1
15	cond. filter net	1
16	condenser	1
17	cond.fan cover	1
18	cond. Fan blade	1
19	cond. Fan motor	1
20	compressor	1
21	capillary	1
22	dryer filter	1
23	cooling unit board	1
24	high pressure pipe	1
25	outer drain pan	1
26	eva. fan	2
27	eva. fan blade	2
28	eva. fan cover	2
29	motor board	2
30	fan plate	1
31	power cord	1
32	evaporator	1
33	top cover	1
34	sensor	1
35	sensor clip	1
36	inner drain pan	1
37	left shelf guide	6
38	shelf	6
39	right shelf guide	6
40	back middle shelf holder	1
41	shelf holder	6
42	shelf holder screw	16
43	middle beam connect	2
44	middle beam	1
45	wheel	2
46	door axis sleeve	2
47	hinge axis	2
48	right bottom hinge	2
49	eva. sensor	1
50	defrost heater	1
51	middle shelf	3
52	door(right)	1
53	panel connect	2
54	wheel(with lock)	2